



Inclined Platform Lifts

SUPRA & SUPRA LINEA

SUPRA LINEA - for straight stairs



Supra Linea can undoubtedly be considered the pinnacle of our extensive experience in inclined platform lifts. Soft colours, rounded shapes, foldaway safety arms, minimum encumbrance are just some of its positive features.

A quality choice

Supra Linea is made using quality components. All the exposed surfaces (rail, platform, safety arms) are made of anodized aluminium to guarantee a rust-free product. The excellence of the Supra Linea lies in its high precision construction and its aesthetic appearance. The rail design suits every environment. Supra Linea can be installed either on vertical stanchions or directly onto a load bearing concrete wall.



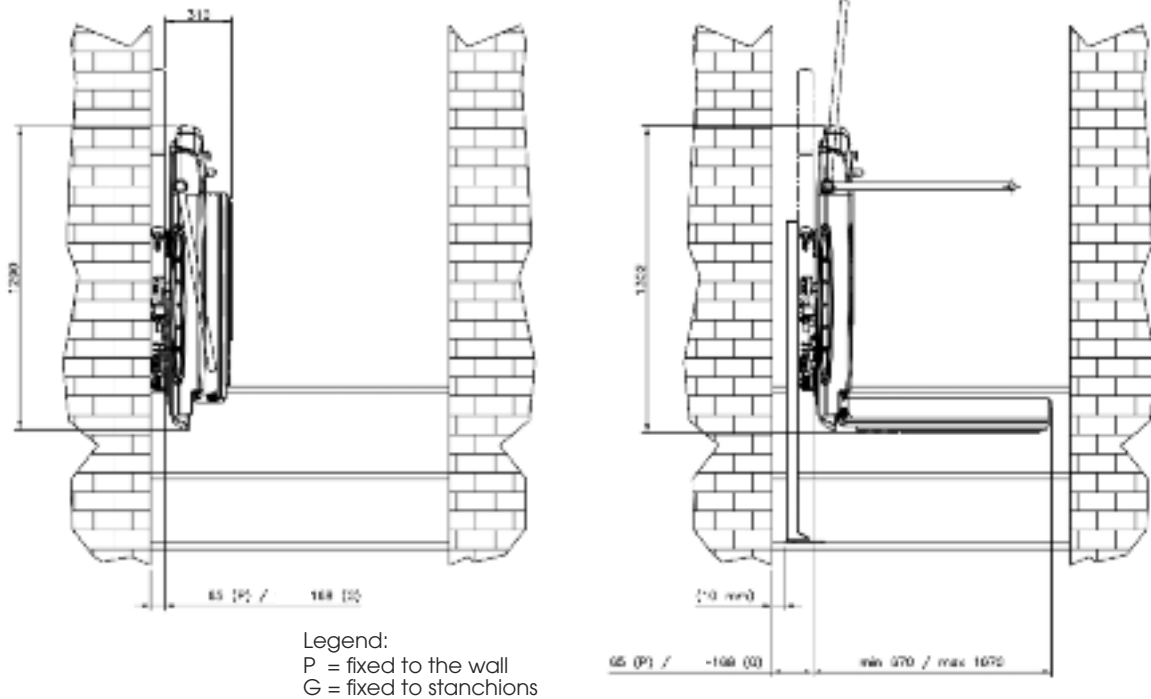
Options

Supra Linea in its basic configuration provides you with a complete range of fittings. It can be further improved by adding an automatic platform, acoustic and visual alarms, increased speed (0,14m/s), soft start, auxiliary power system, remote control, folding seat and long side access ramp.

Safe, Reliable, Robust

Supra Linea (CE, TUV certified) complies with the European Machine Directive 2006/42/EC. The lift is fitted with anti-crush and anti-shearing safety devices. An overload sensor is available as an option. A rated load of 325kg and platform dimension up to 1250x900mm make the Supra Linea a heavy duty product. Supra Linea is suitable for indoor and outdoor installations (IP 55 version is available as an option).

Technical Specification



Rated load	• 325 kg (0°-36°) - 250kg (up to 45°)	Main options <ul style="list-style-type: none"> • customized platform • automatic folding platform • outdoor version (IP 55) • high speed (0,14) version (soft start included, 0,75kW motor) • auxiliary power system (available with the high speed version only) • radio remote control • 90° access ramp • foldable seat • cover cloth
Speed	• 0,07 m/s (standard) 0,14 m/s (option)	
Power	• 0,75 kW (max)	
Power supply	• 230V AC	
Control voltage	• 24V DC	
Maximum travel	• 40 m	
Max angle of incline	• Up to 45°	
Min stair width	• 755 mm (with non standard platform) • 955 mm (with standard platform)	
Weight	• machine body 130kg (approx) • rail 14kg/m	
Norm Compliance	• 2006/42/EC	
Certification	• -TÜV	

The photos, drawings and other information are simply an indication and can be modified without any notice.

Platform size (l x w)	Type of fixing	
	On the wall	On stanchions
860mm x 650mm	905	1010
860mm x 710mm	965	1070
1050mm x 850mm	1105	1210
1250mm x 850mm	1105	1210
1 of 3 above lengths x 500mm - 900mm wide	755 - 1155	860 - 1260
Stair width required (mm)		

SUPRA LINEA



SUPRA



SUPRA - for curved stairs



The Supra is an Incline Platform Lift, advanced in design and ergonomics, created to meet the needs of customers who demand the best in comfort and quality.

Because of its unique rail concept, Supra is suitable for installation on almost any type of staircase: straight or curved; indoors or outdoors.

Supra's dual rail concept is robust in design and doubles up as a handrail, creating optimal use of space.

Special attention has been paid to safety and quality. Supra has been tested to TÜV standards, is CE certified and compliant with the European Machine Directive 2006/42/EC and conforms to EN81-40.

Optional features

The wide range of optional features include: automatic folding; different platform sizes; light and acoustic signals; long side access; radio remote control; folding seat; auxiliary power system and intermediate stops. These features adapt the platform lift to any location and to your every requirement.



Custom made solutions

SUPRA is our specific solution for curved stairs. It can be installed indoors or outdoors. Once the lift is installed, the stairs will still be completely accessible for other users as the platform folds up compactly.

Safety Devices

- 'Hold to run' controls
- Overspeed governor
- Downside and upside motorised access ramps
- Downside and upside motorised safety barriers
- Auxiliary power system
- Load control device
- Anti-impact, anti-crushing and anti-shearing safety devices

Eye for detail and reliability

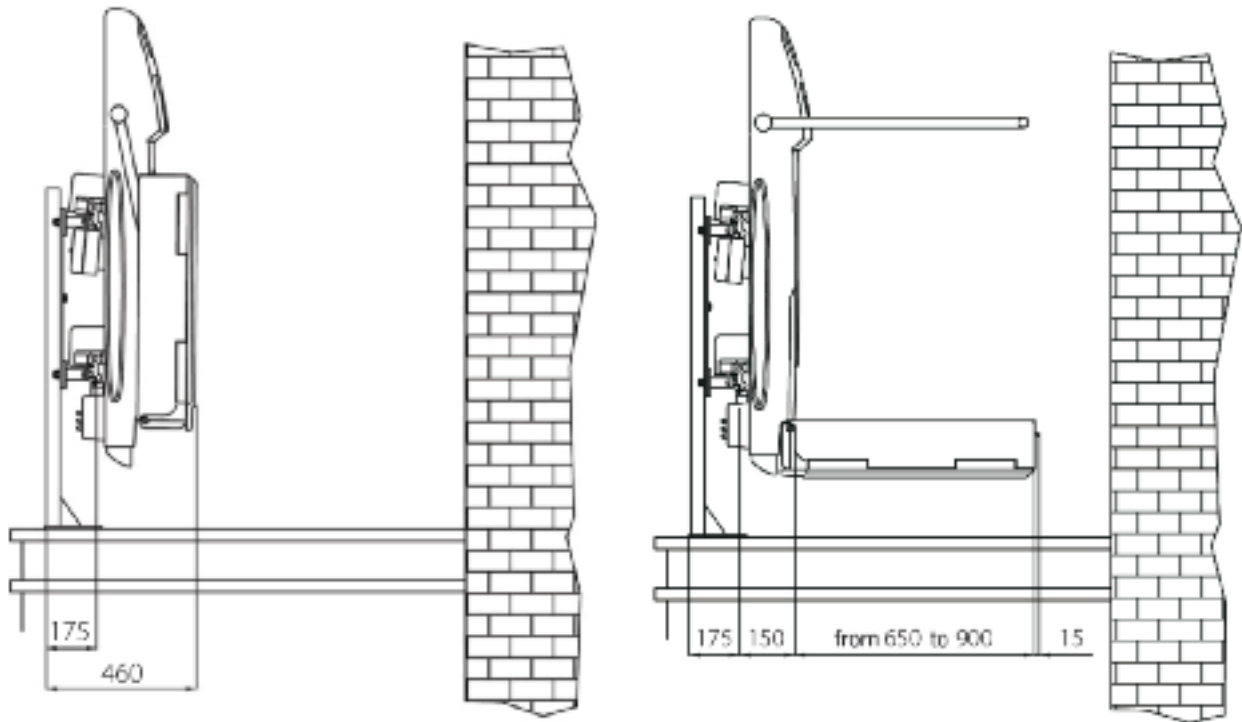
Its aluminium rails and its accurate, detailed design make it unique. It is certified to meet CE, IP2X, TUV standards. Exceptional engineering offers utmost reliability and safety under any conditions. Special anti-crush and anti-shearing devices stop the machine in the event of danger. The "soft start and stop" feature means that you will arrive gently at the upper and lower landings. A wide selection of materials makes it perfect for all surroundings and architectural styles.

Parking

The Supra has a fold-up platform. It can be parked at the landing and takes up very little space and can even be parked around the corner.



Technical Specification



Capacity	• 190 kg - 300 kg	Standard platform	• (LxW) 860x650, 860x710, 1050x850, 1250x850
Speed	• 0.07m/s	Minimum stair width	• From 943 mm (special platform)
Drive system	• Rack and pinion	Weight	• Machine Body 155 kg • Aluminium rail 15 kg/m
Motor	• 0,35 KW	Norm compliance	• 2006/42/EC, EN 81-40
Power Supply	• 230 Volt 50 Hz Single phase	Type certification	• CE TÜV
Control voltage	• 24V DC	Main options	• Intermediate stops • Radio remote control • Special platform sizes available on request • Folding seat • Automatic folding safety arms and platform • Electrical emergency lowering • Light and acoustic signals • Increased speed 0.13m/s • Battery backup • Lateral access ramp (available on 860x710 1050x850 platform)
Minimum bending radius	• 180 mm		
Maximum travel	• 40 m		
Max angle of incline	• Up to 45°		
Rail	Aluminium Painted RAL 9006		
Carriage	RAL 7047		

The photos, drawings and other information are simply an indication and can be modified without any notice.

		Platform length					
		Straight stairs (With change of incline)			Curved stairs		
Platform width		Length 860	Length 1050	Length 1250	Length 860	Length 1050	
		850	N/A	1199	1199	N/A	1300
		710	1059	1059	N/A	1130	1172
		650	999	999	N/A	1075	1120
		500 min width	849	N/A	N/A	943	N/A
Minimum stair width (mm)							

For mounting on heavy stanchions add 43mm to stair width.
For lateral access ramp add 50mm to stair width.



Easy to install and re-use

The Supra Linea can be installed in a few hours. Simply mount the rail, fit the machine body to the rail and connect the electrical supply. The platform can be installed on other rails with different gradients without any modification.

Easy to use

An advanced ergonomic design developed in consultation with consumer associations makes Supra Linea the easiest, most comfortable and safest inclined platform lift on the market. A single, easy to use joystick allows the user to control all functions of the machine. Supra Linea is fully automated: safety arms and access ramps are motorized, the platform can also be motorized as option.